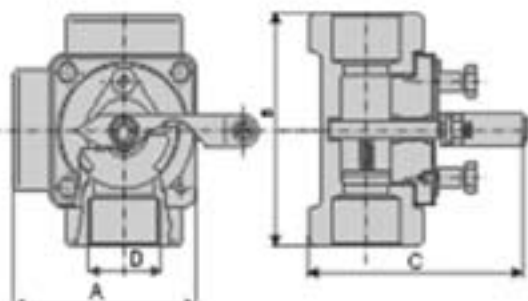


**MIX C**

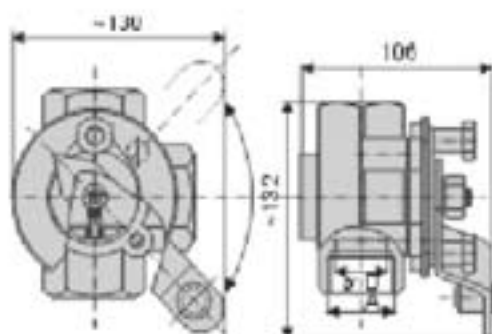
Mixing valve made of grey cast iron - internally threaded



	DN32	DN40	DN50
<b>A</b>	101	132	137
<b>B</b>	122	158	168
<b>C</b>	118	120	128
<b>D</b>	G 1 1/4"	G 1 1/2"	G 2"
<b>kg</b>	2,57	4,57	5,40

**MIX BP**

Mixing valve made of forged brass - internally threaded. Mainly used for small heating installations, generally for copper tube installations



	DN25
<b>A</b>	G 1"
<b>D</b>	25
<b>kg</b>	1,43

**MIX AO**

Mixing valve prepared for welding. Produced of steel tubes, bevelled off inside for welding purposes