



Retailer:



AKVATERM OY
Jänismaantie 12, FIN-67800 Kokkola, Finland
Tel. +358-6-824 4200 • Fax +358-6-824 4224
info@akvaterm.fi • www.akvaterm.fi

The freedom to choose
AKVATERM HOT WATER BOILERS



An Akvaterm hot water boiler can easily be used with different heat sources, giving you the freedom to choose – no matter what your heating equipment or energy source.

You will find exactly the right hot water boiler for your home from the easy-to-use and easy-to-maintain Akvaterm range. In addition to standard products ranging from 300 to 4,000 litres, the Akvaterm range includes hot water boilers for retrofitting during rebuilding and renovation as well as special boilers tailored to your exact needs.

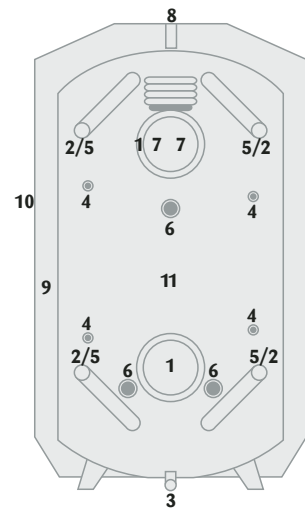


AKVA standard boiler

Ranges from 300 to 4,000 litres in volume. We recommend this option for most needs. Insulation consists of a seamless polyurethane-and-steel shell of 100 mm thickness. Alternatively, the same shell is available in removable sections. If specially ordered, an uninsulated and corrosion-resistant painted boiler is available. A water heating coil is a standard fitting in the top hatch. A preheating coil for household hot water, or a solar heating coil, heat recovery unit, etc, can be fitted in the lower hatch. NS 50 couplings are fitted in the lower section for electrical resistors for off-peak heating at night. Couplings for electrical resistors for daytime use are fitted in the centre section of the boiler. Inbuilt control pipes ensure the correct thermal layering of the water.

HPAC code	Model	Diameter, mm	Height, mm	Weight, kg	Resistor couplings
0000000	AKVA 300 EK	650	1900	130	2
5235054	AKVA 500 EK	800	1950	155	2
5235056	AKVA 750 EK	950	2050	200	2
5235058	AKVA 1000 EK	1050	2100	230	2
5235060	AKVA 1500 EK	1250	2150	280	3
5235062	AKVA 2000 EK	1400	2200	330	4
0000000	AKVA 2500 EK	1500	2250	360	4
5235064	AKVA 3000 EK	1600	2300	400	4
0000000	AKVA 4000 EK	1800	2350	480	6
0000000	AKVA 5000 EK	2000	2500	600	6

Diameter is 200 mm smaller without insulation.



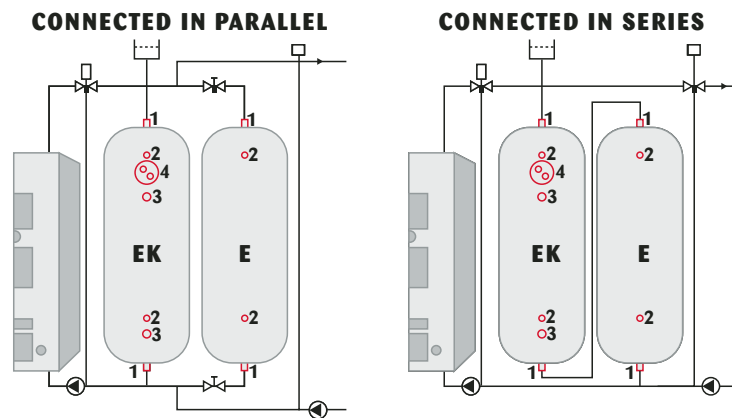
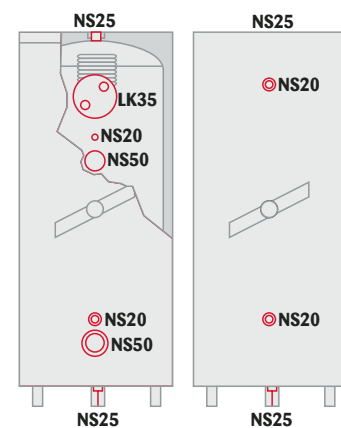
- Hatch (2 pcs)Ø 200 mm
- Network coupling + control pipeNS 32
- Drain couplingNS 25
- Thermometer/thermostat/ coupling (4 pcs).....NS 20
- Boiler coupling + control pipeNS 32
- Electrical resistor coupling (2-4 pcs)NS 50
- Water heating coil, finned tubeØ 22 mm
Output, standard 35 l/min, +5°C/+ 55°C/+75°C.....90 kW
Structural pressure10 bar
- Pressure relief/air bleeder couplingNS 25
- Polyurethane insulation100 mm
- Coating, coated galvanized sheeting0,5 mm
- Tank, max. structural pressure1,5 bar
max. temperature+110°C



AKVASAN boiler for retrofitting

With a diameter of only 800 mm, the Akvasan boiler is designed for cramped spaces and restricted access ways. The Akvasan 0,5 range also has very low headroom. The efficient properties and cylindrical shape have not been sacrificed despite Akvasan's small size. The insulation is the same as in standard boilers but is 50 mm thinner due to the lower surface area. The EK model is equipped with a water heating coil and couplings for off-peak and daytime electrical resistors. When provided with an electrical resistor, the EK model is ideal for heating household water. When only hot household water is needed – in the summertime, for instance – the E model can be switched off. A good additional hot water boiler for double boiler systems ñ high efficiency ratio, clean burning, no boiling in the boiler.

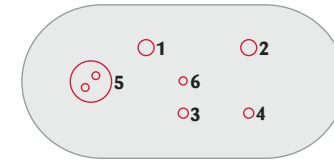
HPAC code	Model	Diameter, mm	Height, mm	Weight, kg	Resistor couplings
5235090	AKVASAN 0,5 EK	795	1480	130	2
5235092	AKVASAN 0,5 E	795	1480	120	1
5235091	AKVASAN 0,7 EK	795	1980	160	2
5235093	AKVASAN 0,7 E	795	1980	150	1



AKVANTTI oval boiler

For rebuilding and renovation applications. Volumes: 1,400 l, 2,000 l and 2,400 l. Akvantti has the most efficient water heating coil on the market (45 l/min). Also available without a water heating coil. Depth only 800 mm.

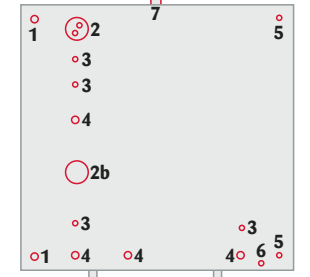
HPAC code	Model	Height/Width, mm	Depth, mm	Weight, kg	Couplings
5235042	AKVANTTI 1400 EK	1660/1630	800	420	3
5235046	AKVANTTI 1400 E	1660/1630	800	410	3
5235038	AKVANTTI 2000 EK	1840/2060	800	500	4
5235039	AKVANTTI 2000 E	1840/2060	800	490	4
5235048	AKVANTTI 2400 EK	2160/2060	800	560	4
5235050	AKVANTTI 2400 E	2160/2060	800	550	4



- AKVANTTI 1400 EK, CONNECTIONS ON TOP:**
- Inlet from boiler 2"
 - Return line to boiler 2"
 - Outlet to network 1 1/4"
 - Return line to network 1 1/4"
 - Water heating coil 45 l/min
Couplings 3/4"
 - Bleeder coupling 1"



- AKVANTTI 1400 EK, CONNECTIONS ON TOP:**
- Drainage coupling 1"
 - Electrical resistor coupling 2", 3 pcs
 - Thermostat/thermometer coupling 3/4"



- AKVANTTI 2000 EK, 2400 EK, CONNECTIONS ON SIDE:**
- Boiler coupling 2"
 - Water heating coil 45 l/min,
couplings 3/4", 1 pcs
 - Provision for a second water heating coil
 - Thermostat/thermometer coupling 3/4"
 - Electrical resistor coupling 2", 4 pcs
 - Network coupling 1 1/4"
 - Drainage coupling 1"
 - Bleeder coupling 1"



Boiler for apartment block

Suitable for apartment blocks and rows of terraced houses. Structural pressure is generally 3 or 4 bar. Volume, hatches, couplings, water heating coils, etc, dimensioned to customer's specifications.



Special boilers

Manufactured for customer's specific application, also in stainless steel. Special boilers can be used as storage silos for raw materials, cold storage tanks, compensator tanks and in heat recovery systems, etc. All accessories for such tanks and boilers are supplied as ordered including extra hatches, couplings, water heating coils, fastenings, etc. Largest diameter is 2,400 mm.



Water heating coils

In addition to standard copper pipe, AKVA water heating coils are manufactured in finned copper tubing of (22 mm for flow rates of 20-200 l/min (output 50-500 kW) to the customer's specified dimensions. Structural pressure 10 bar.

HPAC code	Model	Output, kW	Diameter, mm	Length, mm	Coupling R"	Flow l/min
5210120	AKVA 35 LK	90	160	750	3/4	35
5210125	AKVA 60 LK	150	160	1250	1	60
5210130	AKVA 80 LK	205	250	900	1 1/4	80
5210135	AKVA 100 LK	255	300	1000	1 1/2	100
5210140	AKVA 120 LK	310	300	1100	2	120



Electrical accessories

Boilers can be equipped with electrical resistors at the factory. The resistor material is high-quality Incoloy 825. The fittings for an off-peak hot water boiler include 2-3 resistors for off-peak night-time heating and one for daytime heating. The delivery also includes night-time and daytime thermostats (Finnish Electricity Association class 3.2) and one overheating protector. A control console for the boiler can also be supplied, if required. If requested, electrification of the boiler can conform to the customer's specifications.