



## MANUAL

### EXHAUST CHIMNEY FAN

**TYPE: WKO 150, WKO 160, WKO 180, WKO 200,  
WKO 210, WKO 225, WKO 250, WKO 300**



Contents:	page
1. Fan's use.....	2
2. Procedure rule.....	2
3. Technical data.....	2
4. Fan choice.....	3
5. Montage and exploitation.....	3
6. Electrical connection.....	3
7. Conservation.....	3
8. Dealing with Falls caused by working exploitation.....	4
9. End of using.....	4

## 1. Fan's use

Exhaust chimney fan's WKO type purpose is taking the fumes out of wood boiler. WKO type fans are characteristic for great efficiency, low volume and weight. It's brand new construction isn't common at Polish ventilation market yet.

## 2. Procedure rule

Exhaust chimney fan WKO type supports chimney draught while burning up in a natural thrust boiler or in a fan boiler. It's also helpful while fuel loading in the time of door opening. Both of these features are designed to prevent the escape of smoke from the boiler to the boiler room at the time when it is too small chimney draught.



### NOTICE!

**Exhaust chimney fan isn't the one for engine's work enforcing, it's only chimney flue supporting appliance**

## 3. Fan's technical data

Parameters	m.u.	WKO type							
		150	160	180	200	210	225	250	300
Rotation engine's speed	obr/min	2780	2780	2760	2760	2780	2780	2780	2780
Engine's Power	W	19	19	19	19	30	30	30	30
Power taking	W	38	38	38	38	48	48	48	48
Inlet-outlet diameter	mm	150	160	180	200	210	225	250	300
Rotator's exterior diameter	mm	175	175	175	175	175	175	175	175
Fan's weight excluding engine	kg	12	13	14	14	15	17	19	21
Fan's weight including engine	kg	14,5	15,5	16,5	16,5	18	20	22	24
Max temperature	°C	300	300	300	300	300	300	300	300
Max fan's efficiency	m <sup>3</sup> /h	380	380	400	400	400	400	400	400

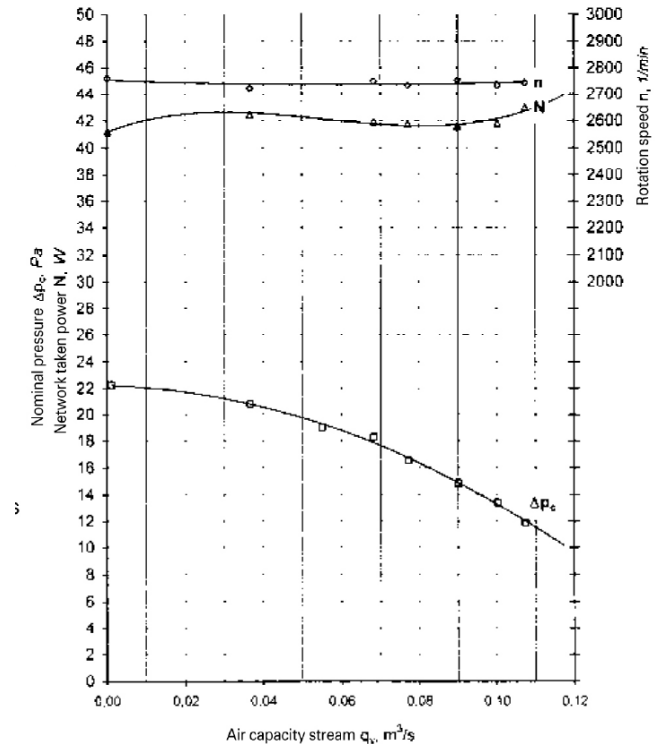
## 4. Fan choice

- Boiler's flueblock diameter can't be larger than the fan's inlet-outlet diameter
- Chimney's hydraulic diameter (circle incircled in chimney) cannot be smaller than chimney flue diameter

## 5. Montage and exploitation

The fan is adapted for vertical or horizontal working. There are blades in rotor rings which are placed at the engine's rotor. Fans WKO type are characteristic for element's unification. Certain fans' types differ with a slot fumes' taking.

The appliance should be assembled at chimney flue in conformity with fumes' taking arrow placed at the fan's casing. Joints should be sealed with high temperature resistant silicone (up to 600°C).

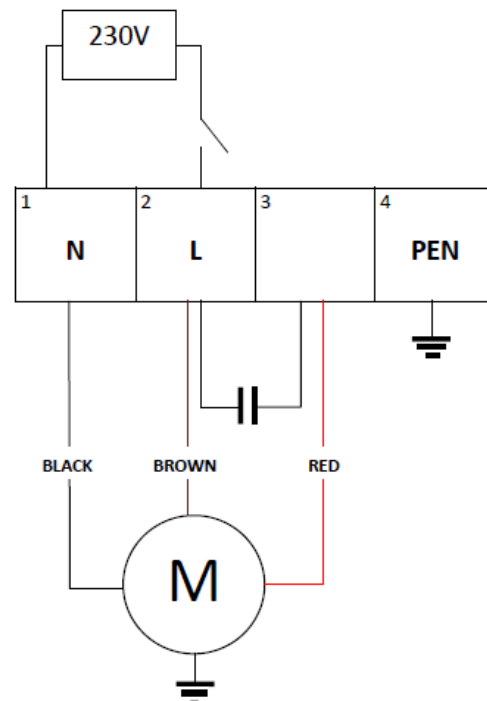


Pic. Fan's WKO type operating characteristics.

## 6. Electric connection scheme

### Notice!

- Only an authorized electrician can Deal with fan's WKO connection.
- Fan doesn't go with a cutout.
- Only an authorized electrician can deal with cutout assembling.
- Cutout should be placed in safe, out of unauthorized person reaching place. Switch however should be placed near a boiler. Because of fumes' temperature difference in the boilers automatic cutouts aren't advisable.



## 7. Maintenance

Fan should be inspected at least once a year. It should be done in an authorized point only.

## 8. Dealing with faults caused by wrong exploitation

Problem	Cause	Remedy suggested
Fan doesn't work	Fans engine damaged	Call service
	Condenser damaged	Call service
	Rotator blocked	Fan's disassembly, clean the rotor
Fan works loud	Condenser damaged	Call service
	Fan's rotor uncleaned	Fan's disassembly, clean In trough
Smog comes out the fan's casing	Chimney flue chocked	Call for chimney sweep as to clean the chimney through
	Fan's casing gasket damaged	Gasket's replacement

## 9. Using disposal

The appliance is approved according to the European Directive 2002/96/EC In the matter of electric al and electronic devices' waste (WEEE). Ensuring right its scrapping you help to protect the environment.

The symbol placed either on the device or in the documents enclosed means that the product isn't classified as a household waste.

Exhaust chimney fan should be taken to an authorized collection point in the matter of electric and electronic components recycling.

The appliance should be scrapped according to local regulations according waste utilization.

More information according utilization, scrapping and recycling you can get in the local city hall, in civic waste utilization company or in the place of the machine buying.



VENTOR Karolina Orłańska  
 Ul. Szopena 11  
 48-300 Nysa  
 T.:+48 77 433 94 45  
 F.:+48 77 433 94 45  
 E.: biuro@ventor.pl  
 W.: www.ventor.pl